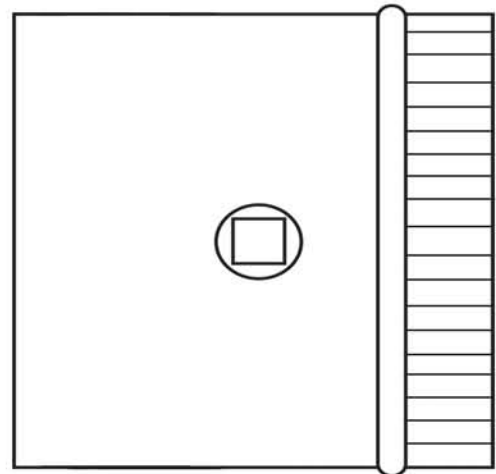
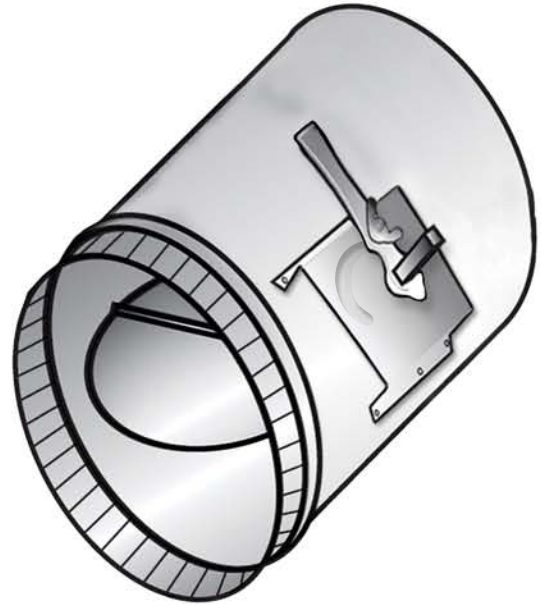


Round Damper W/Standoff-1 1/2"

SUBMITTAL SHEET

- Round Sleeve is constructed of galvanized steel beaded both ends per SMACNA standards. Customer is to specify sleeve diameter.
- Length standard:
 L=10" for diameters 6" - 9"
 L=12" for diameters 10"-12"
 L=14" for diameters 14"-16"
- Blade is constructed of galvanized steel in 20 gauge minimum thickness
- 3/8" square zinc plated steel or aluminum shaft attached to the blade with tight sealed bushings or bearings to the frame.
- Handle (quad or dial type) has a manual locking mechanism constructed of galvanized steel, and zinc plated.
- **OPTIONS:**
 Insulated Sleeve (specify thickness)
 Wrapped Sleeve (specify thickness)
 2" Stand-off bracket w/ locking handle
- Special Gauge or length available on request
- 3 1/2" round zinc plated pins, held by welded strap and adjustment setscrew to the blade with tight sealed bushings or bearings to the sleeve.
- 304 Stainless steel construction or other materials
- Special joint Connections: welded flange, crimped on one end (standard is raw)



Job Name: _____

Location: _____

Mechanical Contractor: _____

Job No: _____

Manufacturer: _____

Date: _____