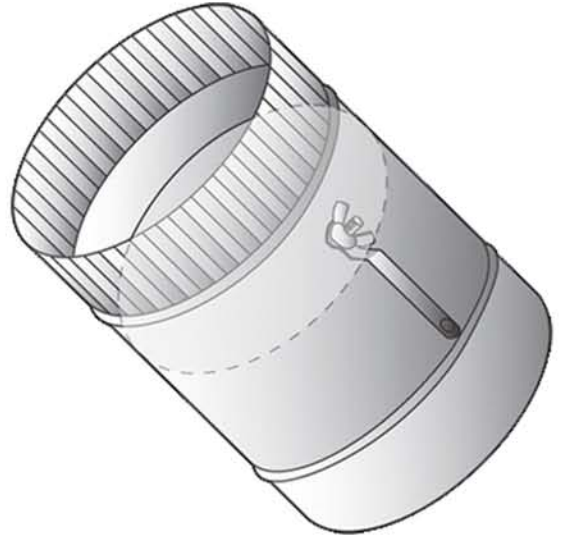
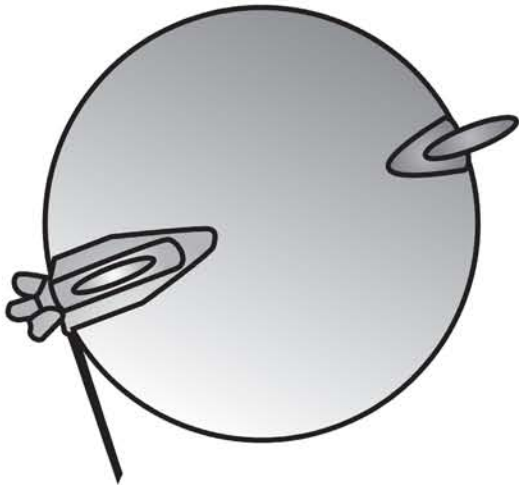


Jiffy Damper

SUBMITTAL SHEET



It is formed from rust-resistant, heavy gauge, galvanized steel and installs in seconds. The Rapit will penetrate and secure to round or rectangular damper blades and up to 24 gauge steel. It has fully retractable bearings of zinc alloy, threaded to accept a 5/16"-18 wing-nut and a handle that indicates the damper position.

Job Name: _____

Location: _____

Mechanical Contractor: _____

Job No: _____

Manufacturer: _____

Date: _____