

Rectangular Manual Balancing Damper

SUBMITTAL SHEET

- Steel Frame/Sleeve is constructed of galvanized steel per SMACNA Standards. Customer to specify frame/sleeve size (A, B and C)

- Blade is constructed of galvanized steel of 20 gauge minimum thickness.

- 3/8" square zinc plated or hot rolled steel shaft held by U-clips to the blade with tight sealed bushings or bearings to the frame.

- Handle (quad or dial type) has a manual locking mechanism constructed of galvanized steel and zinc plated.

- **OPTIONS:**

- Insulated frame (specify thickness)

- Wrapped frame (specify thickness)

- 1" Stand-off bracket w/ locking handle

- 1 1/2" Stand-off bracket w/ locking handle

- 2" Stand-off bracket w/ locking handle

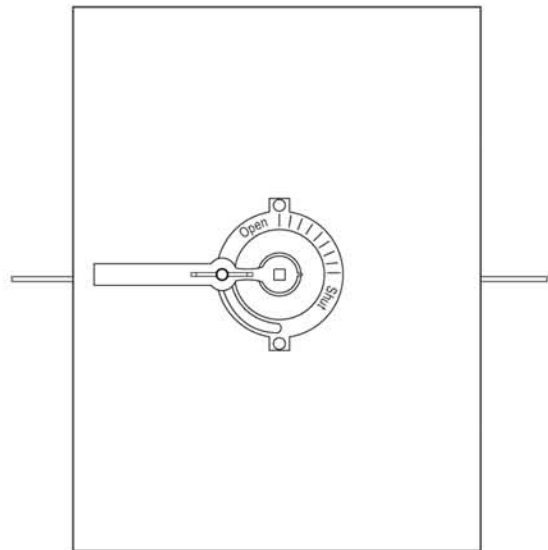
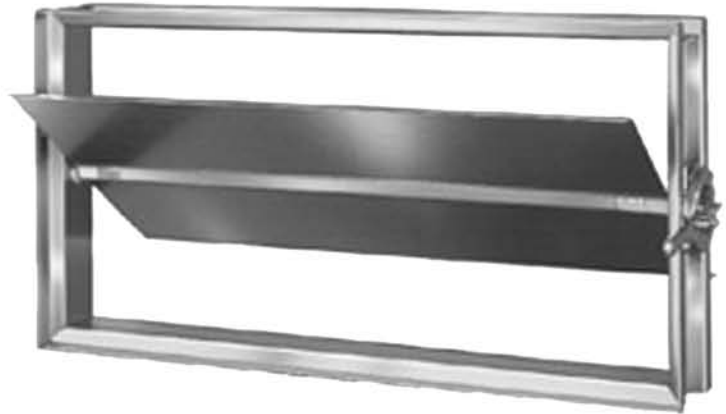
- 1/2" round, zinc plated pins held by welded strap and adjustment setscrew to the blade with tight sealed bushings or bearings to the frame.

- 304 Stainless steel construction.

- Multi blade/opposed blade dampers.

- Special Finish (specify)

- Special Joint Connections: Ductmate, TDC, Flange Slip and Drive. (Standard is raw)



Job Name: _____

Location: _____

Mechanical Contractor: _____

Job No: _____

Manufacturer: _____

Date: _____