

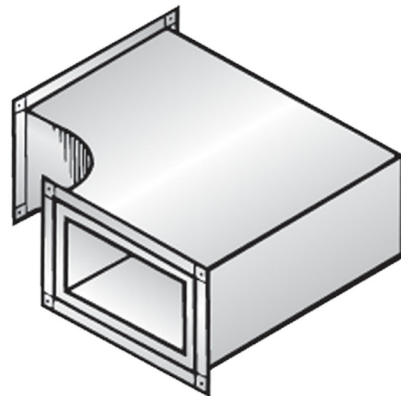
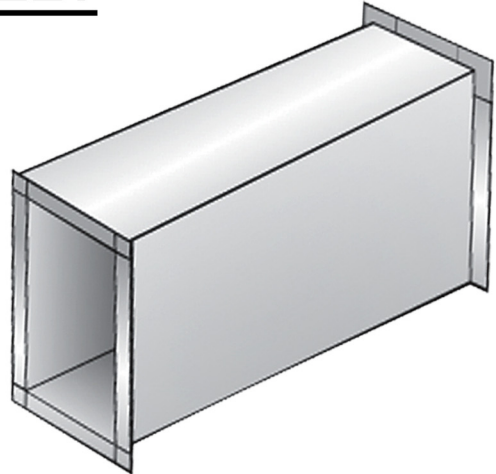


5499 Brooks Street • Montclair, CA 91763
 Tel (909) 635-1335 • Fax (909) 635-1339

Rectangular Duct & Fittings

SUBMITTAL SHEET

- Pacific Duct Inc. Rectangular Ducts and Fittings are fabricated from commercial grade G90 galvanized steel per ASTM-A90, A568, A653, A924 and are in accordance with the latest edition of SMACNA Duct construction standards.
- Reference SMACNA tables 1" - 10" W.G. for construction standards and reinforcement schedule.
- Options of stainless steel, aluminum, paint-lock, and other materials are available upon request.
- All ducts are beaded on 12" centers, with first bead 6" from end for extra strength. Cross breaking is available upon request.
- Standard duct lengths are 4', 5', or 6'. Other duct lengths are available in any length requested.
- All slips and drives, nuts, bolts, gaskets, reinforcements and misc. hardware are included with duct work.
- All ducts and fittings are available bare, lines, or wrapped.
- All rectangular ducts and fittings are shipped assembled.



*Submittals and Specs are subject to change without notice.

Alternative Joint Connectors

Slip & Drive	Ductmate
TDC	Other _____

Insulation Options

1/2"	1"
1 1/2"	2"

Duct Seam Construction

Pittsburg
 Snap-Lock

Fittings Seam Construction

Pittsburg
 Snap-Lock

Job Name: _____

Location: _____

Mechanical Contractor: _____

Job No: _____

Manufacturer: _____

Date: _____