



5499 Brooks Street • Montclair, CA 91763
Tel (909) 635-1335 • Fax (909) 635-1339

Round Duct & Fittings

SUBMITTAL SHEET

ROUND DUCT GAUGE SELECTION UNREINFORCED POSITIVE PRESSURE GALVANIZED STEEL

UMC STANDARDS		
DIAMETER PIPE (SIZE)	SPIRAL SEAM GAUGE	FITTINGS/ DUCTWORK GAUGE
3"-14"	26	26
16"-22"	24	24
24"-36"	22	22
38"-50"	20	20
52"-60"	18	18
62"-84"	16	16

Applies to low pressure systems 2" positive static water. Round gauge selection for galvanized Steel as displayed in UMC HVAC
Duct Construction Standard Manual

Job Name: _____

Location: _____

Mechanical Contractor: _____

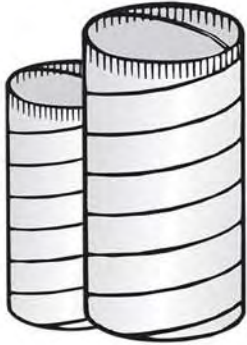
Job No: _____

Manufacturer: _____

Date: _____

Round Duct & Fittings

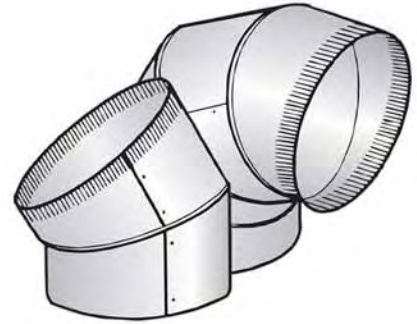
SUBMITTAL SHEET



Spiral Pipe



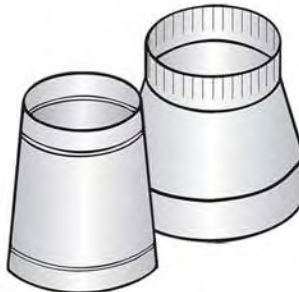
Spiral Coupling



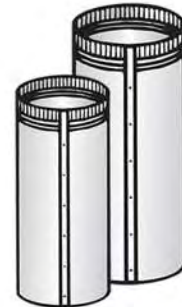
45/90 Elbows



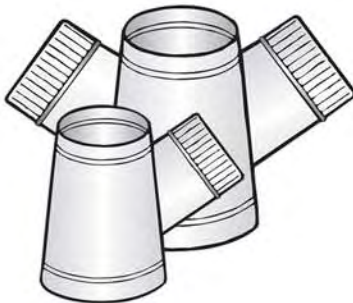
Reducer
(Cookie Cutter)



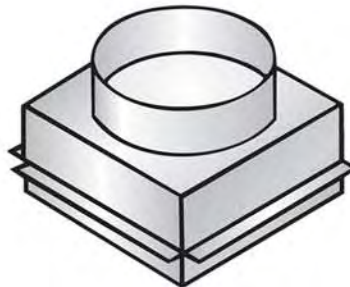
Taper/
Taper W/Collars



KD Pipe/
Snap Lock



T-wye/
Dual T-wye



Ceiling Box



45/90 Radius
Saddle

Job Name: _____

Location: _____

Mechanical Contractor: _____

Job No: _____

Manufacturer: _____

Date: _____