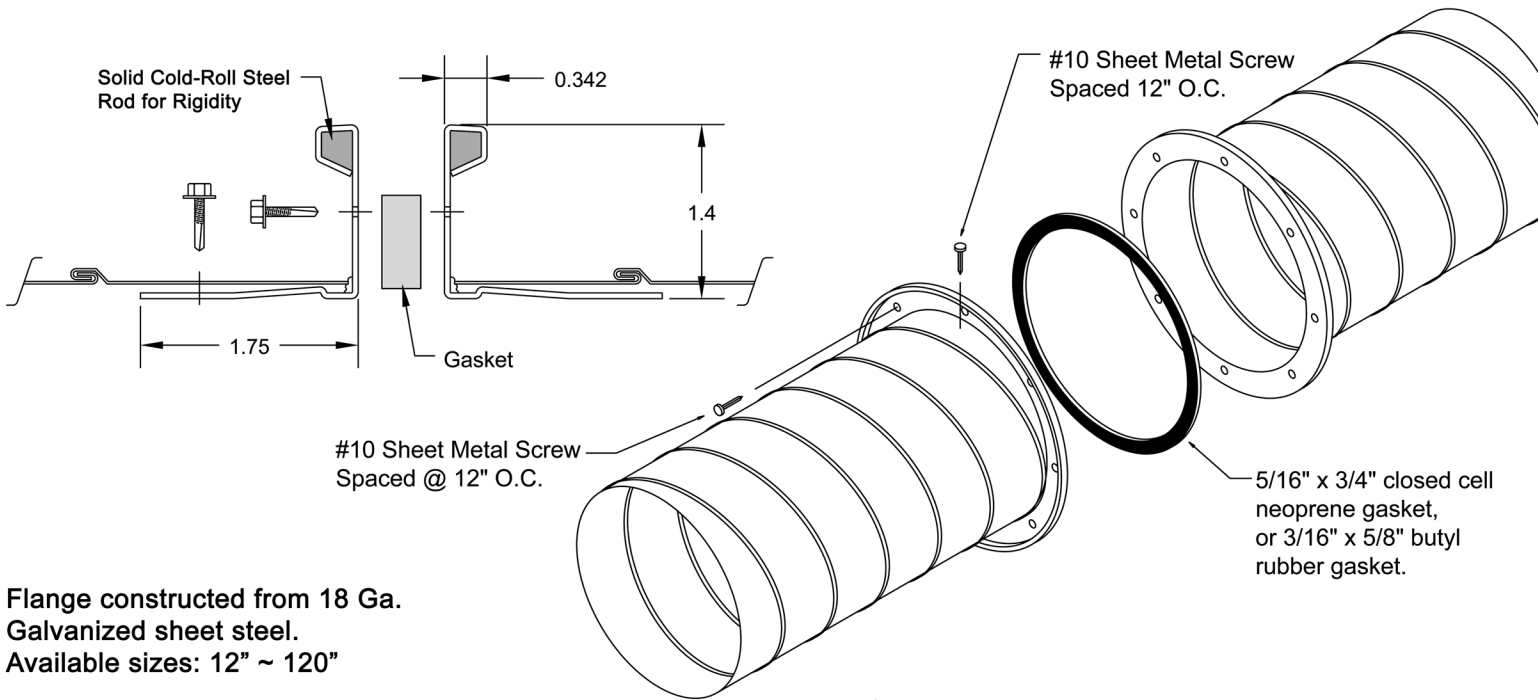


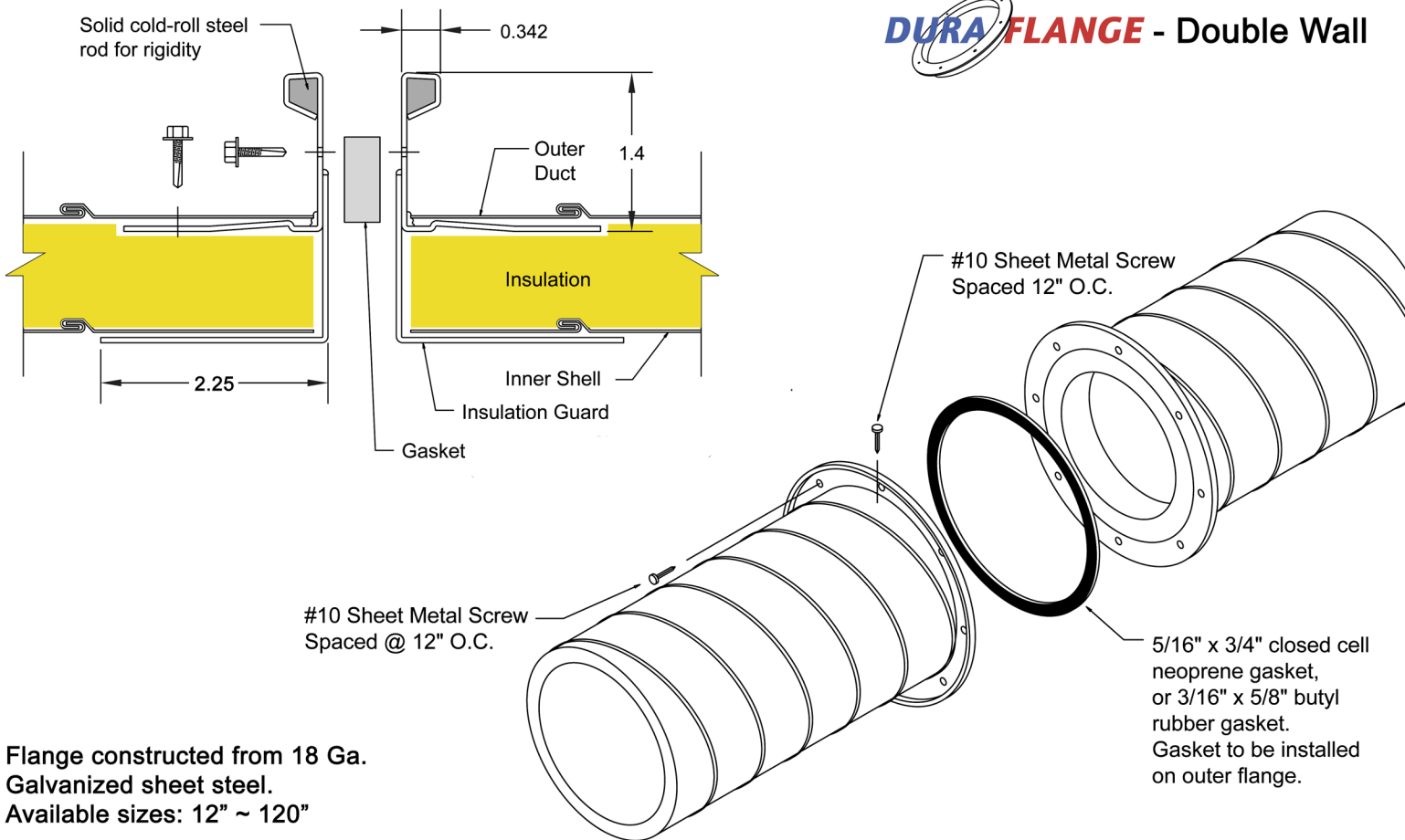
DURA FLANGE - Single Wall



Flange constructed from 18 Ga. Galvanized sheet steel.
Available sizes: 12" ~ 120"

The use of the DuraFlange connecting system, installed and sealed per manufacturer's recommendations, is suitable for use on all systems across a range of internal duct pressure classes; from positive 10" S.P.W.G. to negative 6" S.P.W.G.

DURA FLANGE - Double Wall



Flange constructed from 18 Ga. Galvanized sheet steel.
Available sizes: 12" ~ 120"